

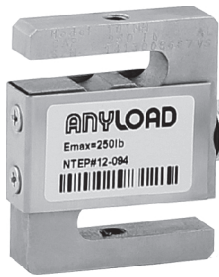
# 101NH



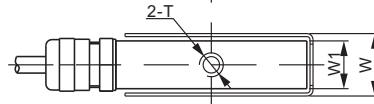
## Alloy Steel

Capacity:25-500lb

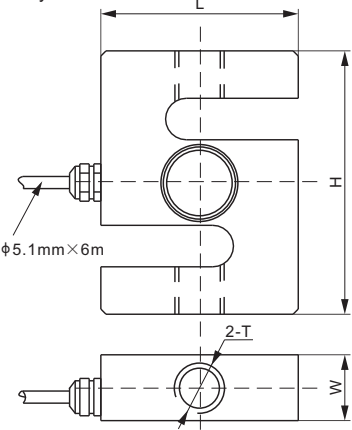
Capacity:750lb-20Klb



Cable  $\phi$ 5.1mm $\times$ 6m



Cable  $\phi$ 5.1mm $\times$ 6m



RATED CAPACITY	DIMENSIONS						Shipping Weight(kg)
	H	L	W	W1	T		
25-250	2.50	2.00	0.65	0.50	1/4-28 UNF-2B	0.6	
500	3.00	2.00	0.89	0.75	1/2-20 UNF-2B	0.7	
750-3,000	3.00	2.00	1.11	-	1/2-20 UNF-2B	0.9	
5,000; 10,000	4.00	3.00	1.00	-	3/4-16 UNF-2B	1.5	
15,000	5.50	4.00	1.25	-	1-14 UNS-2B	3.0	
20,000	7.00	4.92	2.00	-	1 1/4-12 UNF-2B	6.8	

### SPECIFICATIONS

<b>Full Scale Output</b>	3.0 mV/V $\pm$ 1%	<b>Recommended Excitation</b>	10V (15V Maximum)
<b>Zero Balance</b>	$\pm$ 0.02 mV/V	<b>Insulation Resistance</b>	>2 [ 50V DC ] G $\Omega$
<b>Non-linearity</b>	< $\pm$ 0.017%	<b>Compensated Temperature Range</b>	-10°C to 50°C / 14°F to 122°F
<b>Repeatability</b>	< $\pm$ 0.017%	<b>Safe Overload</b>	150% of full scale
<b>Hysteresis Error</b>	< $\pm$ 0.017%	<b>Breaking Overload</b>	300% of full scale
<b>Creep in 30 min.</b>	< $\pm$ 0.023%	<b>Seal Type / IP Rating</b>	Cap. $\leq$ 500lb: Environmentally Sealed / IP66 Cap. $\geq$ 750lb: Environmentally Sealed / IP67
<b>Input Resistance</b>	350 $\Omega$ $\pm$ 7	<b>Cable Color Code</b>	Exc+ Red    Exc- Black Sig+ Green    Sig- White    Shield Bare
<b>Output Resistance</b>	350 $\Omega$ $\pm$ 3		
<b>Element Material</b>	Alloy Steel, Nickel Plated		

Rated Capacity	Width	Part Number	INTERCHANGEABLE PRODUCTS							
			Coti-Global		Rice Lake		Vishay			
			CGSB	CGSB-1	RL20000	RL20001	Celtron STC	Revere 363	Sensortronics 60001	
25lb	W:0.65"	101NH-25lb	W:0.75"		W:0.75"					
50lb	W:0.65" (H:2.5")	101NH-50lb	W:0.75"	W:0.75"	W:0.75"			(H:2.4?)		
100lb	W:0.65" (H:2.5")	101NH-100lb	W:0.75"	W:0.75"	W:0.75"			(H:2.4?)		
200lb	W:0.65" (H:2.5")	101NH-200lb	W:0.75"	W:0.75"	W:0.75"			(H:2.4?)		
250lb	W:0.65" (H:2.5") (L:2") (T: 1/4-28 UNF-2B)	101NH-250lb	W:0.75" (H:3") (T: 3/8-24 UNF-2B)	W:0.75"	W:0.75"	W:0.75" (L:3") (T: 3/8-24 UNF-2B)	W:1.05" (H:3") (T: 3/8-24 UNF-2B)	(H:2.4?)	W:0.75" (H:3") (T: 3/8-24 UNF-2B)	
500lb	W:0.89" (H:3")	101NH-500lb	W:1.00"	W:1.00" (H:2.5")	W:1.00" (H:2.5")	W:1.00"	W:1.2"	W:0.9" (H:2.4")	W:1.00"	
750lb	W:1.11" (H:3")	101NH-750lb	W:1.00"	W:1.00" (H:2.5")	W:1.00" (H:2.5")	W:1.00"	W:1.2"	W:0.9" (H:2.4")	W:1.00"	
1Klb	W:1.11" (H:3")	101NH-1Klb	W:1.00"	W:1.00" (H:2.5")	W:1.00" (H:2.5")	W:1.00"	W:1.03"	W:0.9" (H:2.4")	W:1.00"	
1.5Klb	W:1.11" (H:3")	101NH-1.5Klb	W:1.00"	W:1.00" (H:2.5")	W:1.00" (H:2.5")	W:1.00"	W:1.03"	W:0.9" (H:2.4")	W:1.00"	
2Klb	W:1.11" (H:3")	101NH-2Klb	W:1.00"	W:1.00" (H:2.5")	W:1.25" (H:2.5")	W:1.00"	W:1.25"	W:1.15" (H:2.4")	W:1.00"	
2.5Klb	W:1.11" (H:3") (L:2")	101NH-2.5Klb	W:1.00"	W:1.00" (H:2.5")	W:1.25" (H:2.5") (L:3")	W:1.25"	W:1.25"	W:1.15" (H:2.4")	W:1.25"	
3Klb	W:1.11" (H:3") (L:2") (T: 1/2-20 UNF-2B)	101NH-3Klb	W:1.00"	W:1.0" (H:4.0") (L:3")	W:1.25" (H:4") (L:3")	W:1.25"	W:1.25"	W:1.15" (H:3.9") (T: 3/4-16 UNF-2B)	W:1.25"	
5Klb	W:1" (H:4")	101NH-5Klb	(H:4.25?)		W:1.25"	W:1.25" (H:4.25")	W:1.25" (H:4.25")	W:1.15" (H:3.90")	W:1.25" (H:4.25")	
10Klb	W:1" (H:4") (L:3")	101NH-10Klb	(H:4.75?)		W:1.25"	W:1.25" (H:4.75") (L:3.50")	W:1.25" (H:4.75") (L:3.50")	W:1.15" (H:3.90") (L:2.94")	W:1.25" (H:4.75") (L:3.50")	
15Klb	W:1.25" (L:4") (T: 1-14 UNS-2B)	101NH-15Klb			W:1.5" (T:1-12 UNF)	W:1.50"	W:1.50"	W:1.65" (L:3.44")	W:1.50"	
20Klb	W:2.0" (L:4.92")	101NH-20Klb	(L:5.00?)		W:2.25" (L:5.00")	W:2.25" (L:5.00")	W:2.19" (L:5.00")	W:1.88" (L:4.44")	W:2.25" (L:5.00")	

100lb-500lb: NTEP 1:4 500 Class III, Single Cell; 1Klb-20Klb: NTEP 1:5 500 Class III, Single Cell

200kg-1.5t: OIML MAA C3, Y=17 000; 2t-10t: OIML MAA C4.5, Y=14 000

www.anyload.com

© 2020 ANYLOAD V1 dimensions and specifications subject to change without notice